

BASV-3005

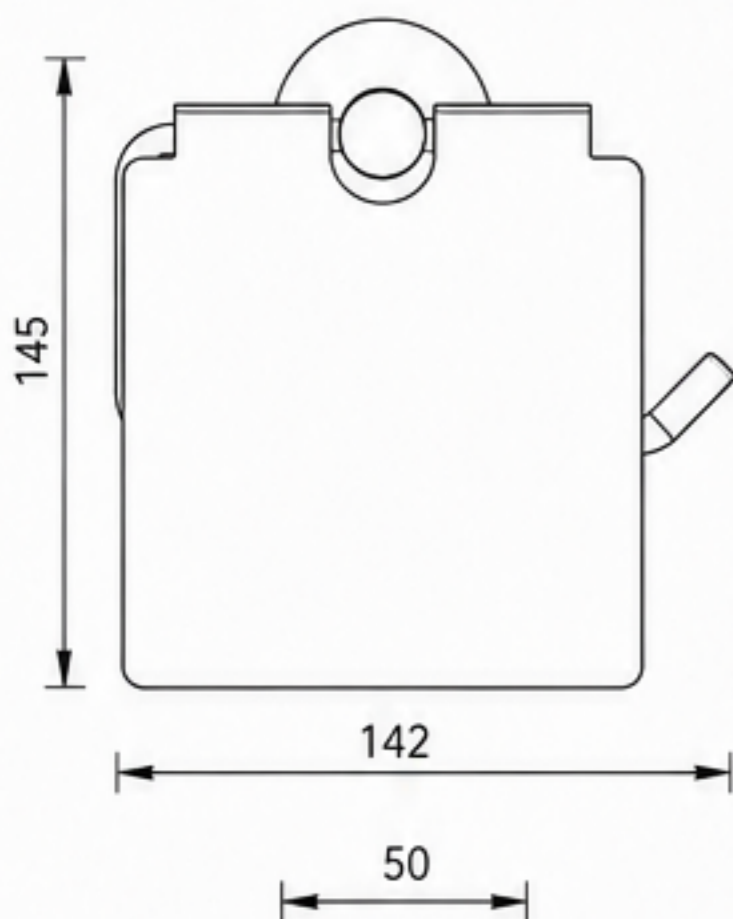
TOILET PAPER HOLDER



DIAGRAM

FRONT VIEW

SIDE VIEW



* All dimensions are in millimetres (mm).

* Product images are for illustration purposes only. Actual colour may vary slightly.

MODEL INFORMATION

Model Number: BASV-3005

MATERIAL & FINISH

Material: SUS304 Stainless Steel

Color / Finish: Brushed Silver

SIZE & DIMENSIONS

Overall Size: 142mm (W) x 145mm (H)

Projection: 65mm

Wall Plate Diameter: 50mm

Cover Width: 142mm

Mounting Type: Wall Mounted

Installation: Concealed Screws

TECHNICAL INFORMATION

Installation Type: Wall Mounted

Assembly: Easy Installation

Concealed Fixing: Yes

Material Grade: SUS304

Warranty: 5 Years

Application: Bathroom, Ensuite, Powder Room

RUST RESISTANT
Built to resist rust and corrosion in humid environments.

SUS304 STAINLESS STEEL
Premium stainless steel for long lasting durability.

EASY INSTALLATION
Includes all necessary fittings for quick and easy installation.

MODERN DESIGN
Minimalist look to match contemporary bathrooms.