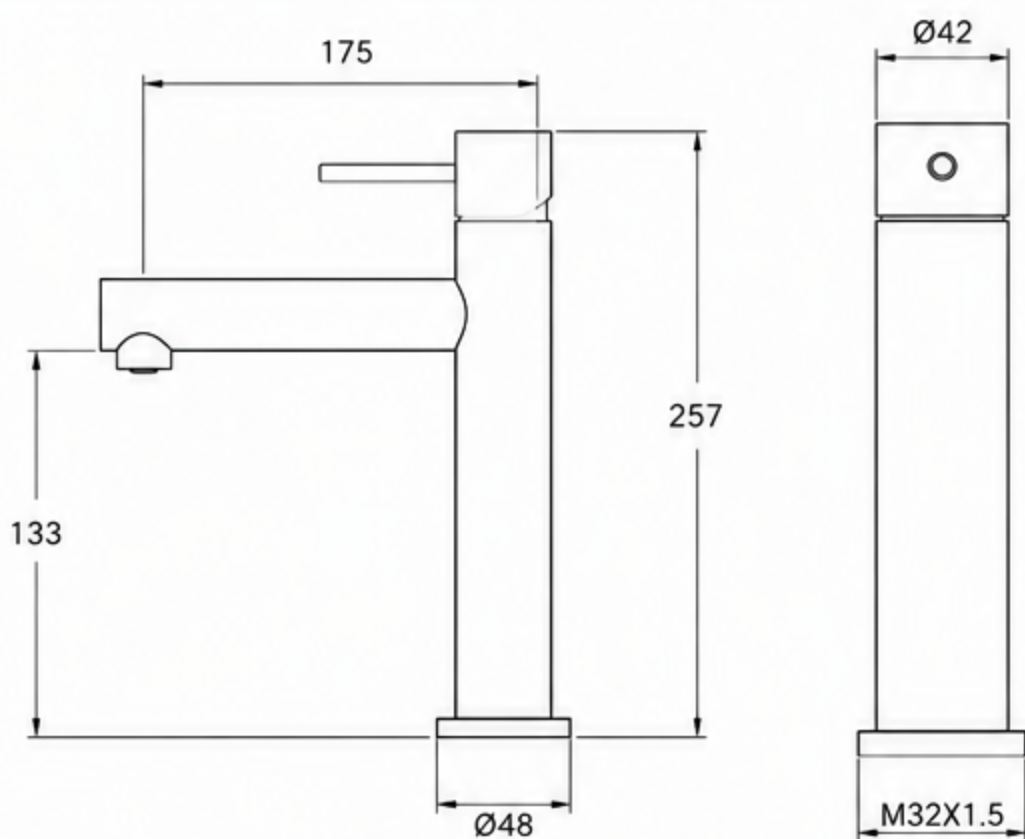




**DIAGRAM** (Unit: mm)



**MODEL INFORMATION**

Model Number BMSV-1471

**MATERIAL & FINISH**

Material 304 Stainless Steel

Color / Finish Brushed Stainless Steel

**FEATURES & BENEFITS**



**Easy to Clean**

Smooth surface for easy cleaning and long-lasting shine.



**Modern Design**

Sleek and contemporary design to suit any bathroom style.



**Water Efficient**

WELS Approved for water efficiency and performance.

**CERTIFICATIONS**



WaterMark Approved



WELS Approved

**TECHNICAL INFORMATION**

Installation Type	Deck Mounted
Control Type	Single Lever
Cartridge	35mm Ceramic Cartridge
Material	304 Stainless Steel
Watermark	Yes

