



MODEL INFORMATION

Model Number BVWH-9045C

MATERIAL & FINISH

Material Multi-layer Plywood
Color / Finish White

SIZE & DIMENSIONS

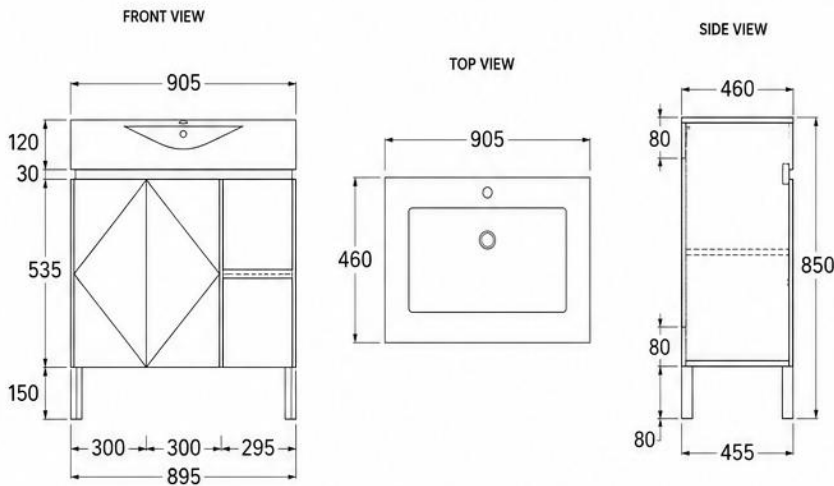
Overall Size 905mm (W) x 460mm (D) x 850mm (H)
Basin Size 905mm (W) x 460mm (D)
Basin Depth 120mm
Cabinet Height 535mm
Leg Height 150mm
Shelf 1 Adjustable Shelf
Tap Hole Ø35mm
Overflow Yes

TECHNICAL INFORMATION

Mounting Type Floor Standing
Assembly Self Assembly Required
Number of Doors 2
Number of Shelves 1
Feature Soft Close Hinges

✓ Please allow a tolerance of ±5mm for all dimensions.

DIAGRAM



* All dimensions are in millimetres (mm).

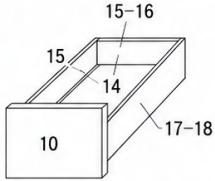
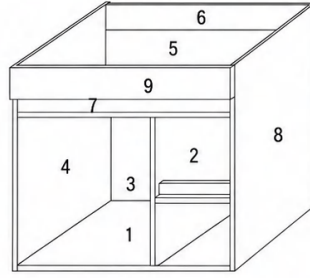
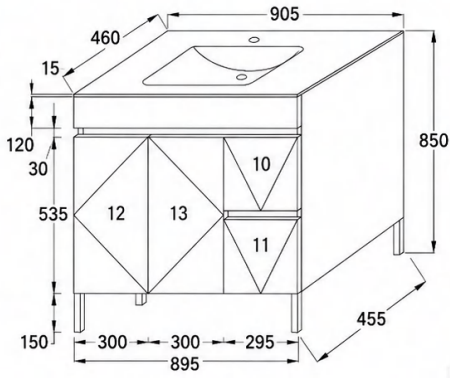
* Product images are for illustration purposes only. Actual colour may vary slightly.

PREMIUM QUALITY
Made from high quality multi-layer plywood for durability and stability.

SOFT CLOSE HINGES
Ensures quiet and smooth closing of doors.

CONCEALED HANDLE
Modern concealed handle design for a clean and sleek look.

INSTALLATION DETAIL DIAGRAM



Note: All dimensions are in millimeters (mm).
There may be a ±1-2mm tolerance in actual production.

NOTES

1. Bottom Panel	10. Upper Drawer Front Panel
2. Middle Divider Panel	11. Lower Drawer Front Panel
3. Lower Back Rail	12. Left Door Panel
4. Left Side Panel	13. Right Door Panel
5. Back Panel	14. Drawer Bottom Panel
6. Upper Back Rail	15-16. Drawer Front & Back Panels
7. Handle Cover Panel	17-18. Drawer Side Panels
8. Right Side Panel	
9. Front Rail	

SPECIFICATIONS

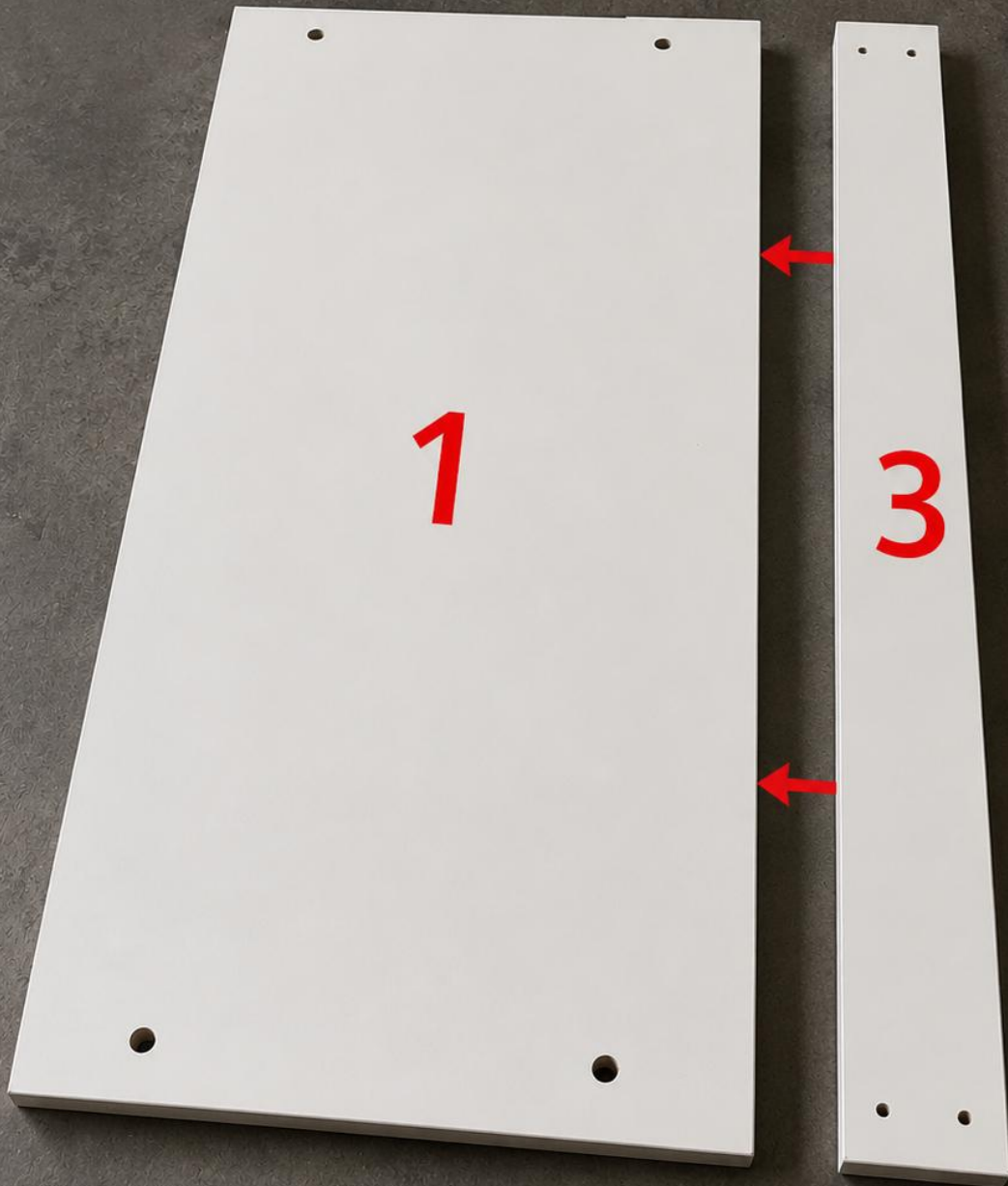
No.	Part Name	Size (mm)
1	Bottom Panel	863 × 423 × 16
2	Middle Divider Panel	423 × 492 × 16
3	Lower Back Rail	863 × 80 × 16
4	Left Side Panel	439 × 685 × 16 (with groove)
5	Back Panel	871 × 525 × 5
6	Upper Back Rail	863 × 80 × 16
7	Handle Cover Panel	863 × 60 × 16 (L-shape handle trim)
8	Right Side Panel	439 × 685 × 16 (with groove)
9	Front Rail	120 × 895 × 16
10	Upper Drawer Front Panel	294.5 × 252.5 × 16
11	Lower Drawer Front Panel	294.5 × 252.5 × 16
12	Left Door Panel	298.5 × 535 × 16 (with hinge holes) – Straight
13	Right Door Panel	298.5 × 535 × 16 (with hinge holes) – Curved
14	Drawer Bottom Panel	229 × 308 × 16
15	Drawer Front Panel	86 × 229 × 16
16	Drawer Back Panel	86 × 229 × 16 (with handle holes)
17	Drawer Side Panel	98 × 340 × 16 (left/right interchangeable)
18	–	–
19	–	–



STEP 1

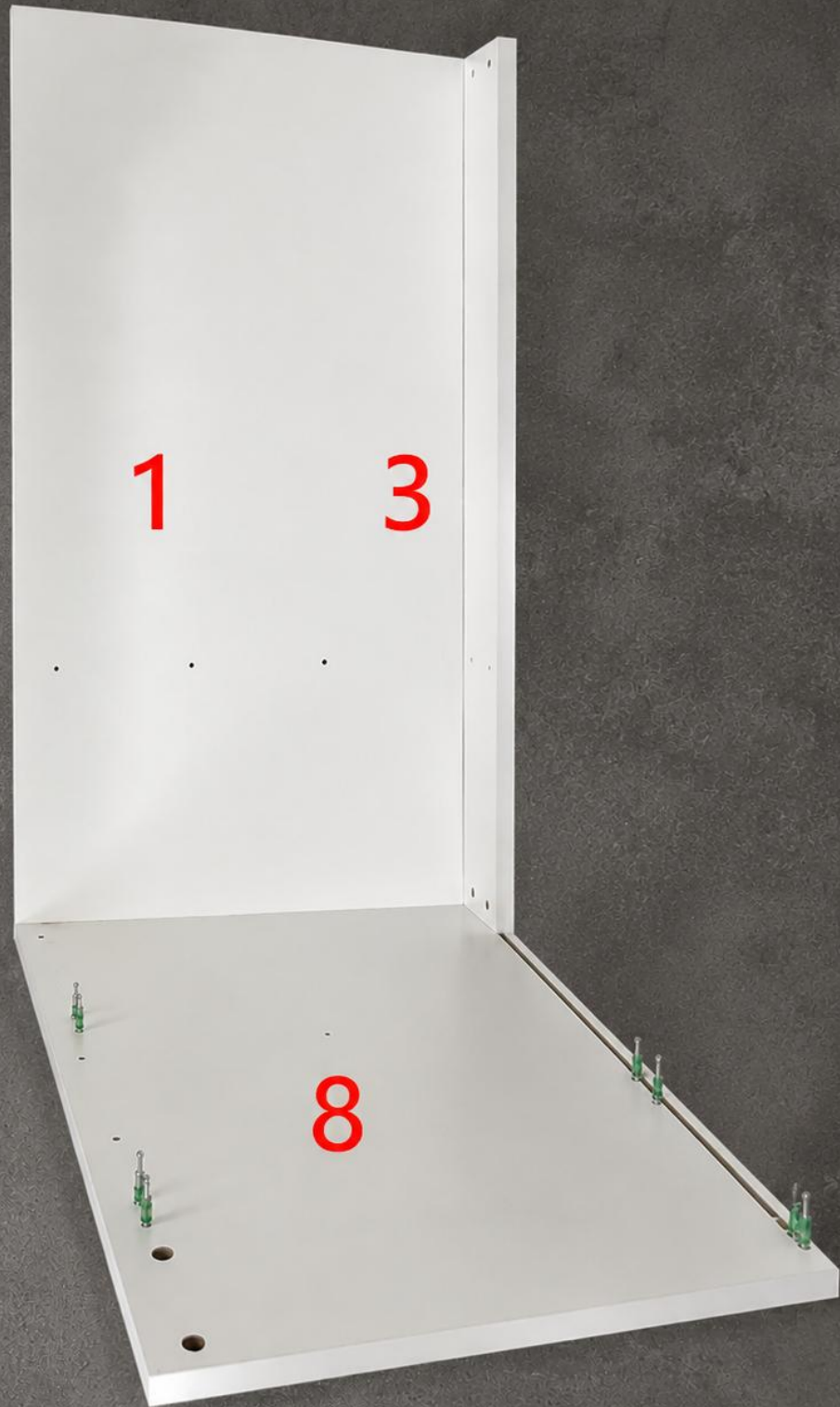
Lay panel 1 flat.

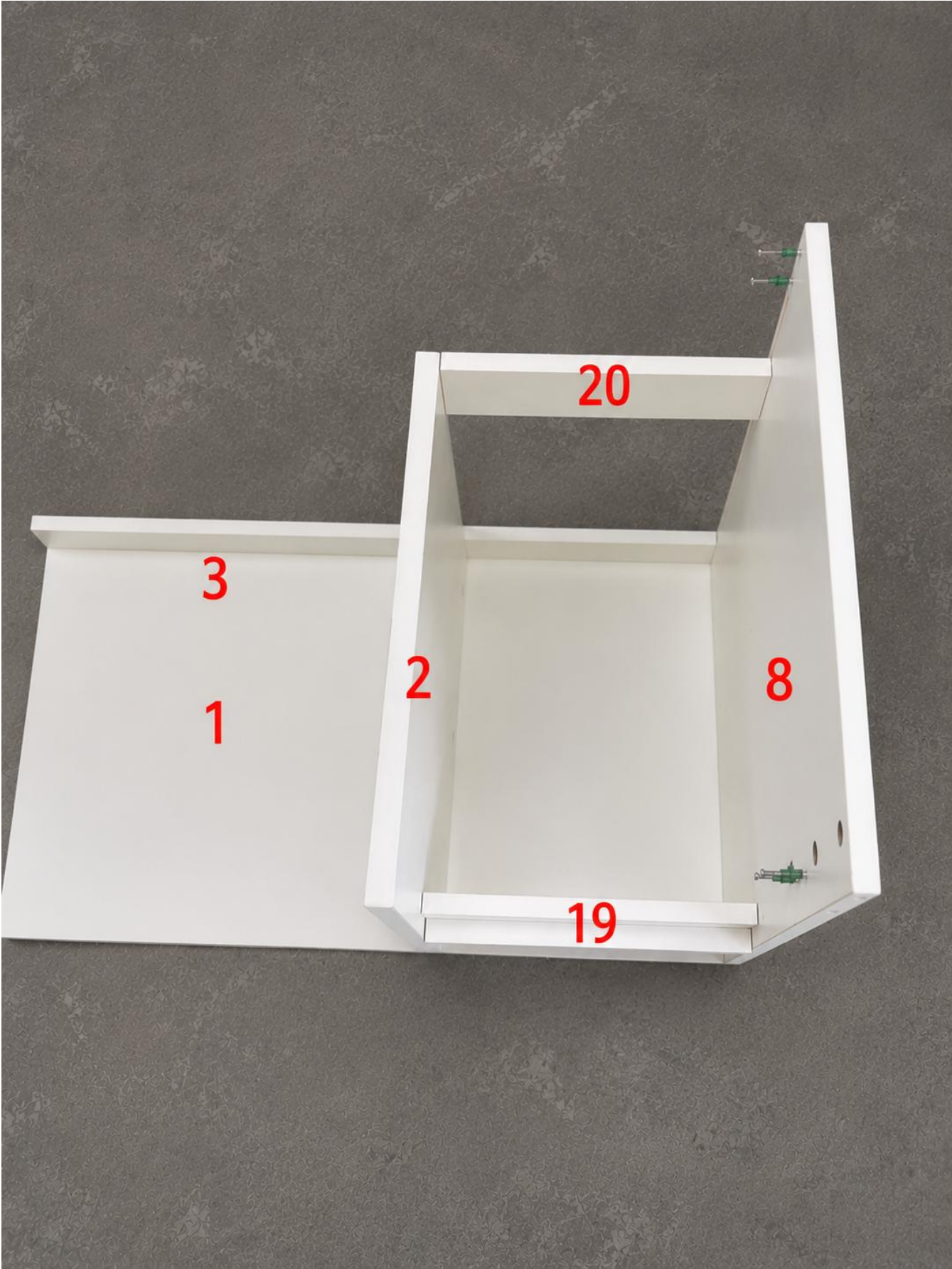
Align panel 3 with the pre-drilled holes on the right side of panel 1 and fasten them together.



STEP 2

Insert panel 8
into the bottom.



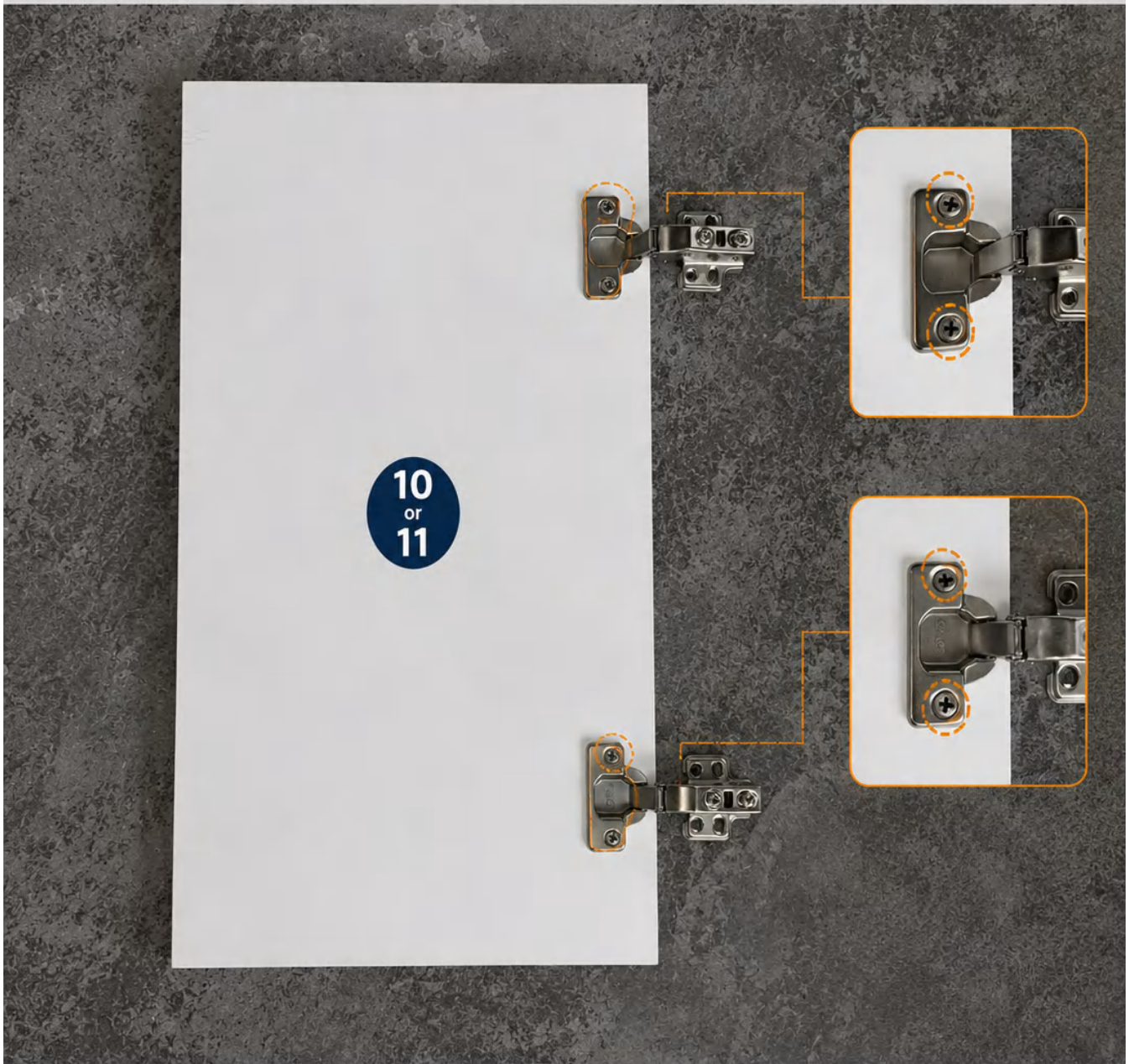






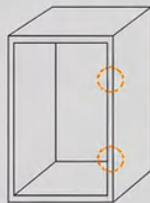
STEP 4

Attach the door (Part 10 or 11) by securing the two hinges on the right side. Use 4 screws in total (2 screws per hinge).




TIPS:

- Make sure the screws are tightened firmly but not over-tightened.
- Check the door alignment after installation and adjust if necessary.



PARTS USED THIS STEP

No.	Part Name	Specification	Qty
10 or 11	Door Panel	296.5 × 535 × 16mm (Left or Right)	1
	Screw	M4 × 16mm	4

STEP 5

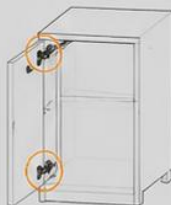
Attach the other side of the hinges to the pre-drilled holes on the side panel (Part 2 or 8).

Use 4 screws in total (2 screws per hinge).




TIPS:

- Make sure the screws are tightened firmly but not over-tightened.
- Check the door alignment after installation and adjust if necessary.



PARTS USED THIS STEP

No.	Part Name	Specification	Qty
10 or 11	Door Panel	296.5 × 535 × 16mm (Left or Right)	1
	Screw	M4 × 16mm	4



Left Drawer Slide



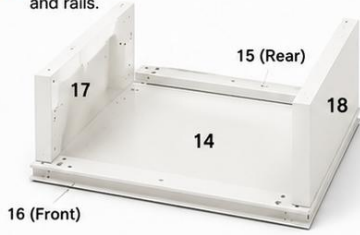
Right Drawer Slide



Note: The front ends of both drawer slides should be flush with the front edge of the cabinet.

DRAWER INSTALLATION GUIDE

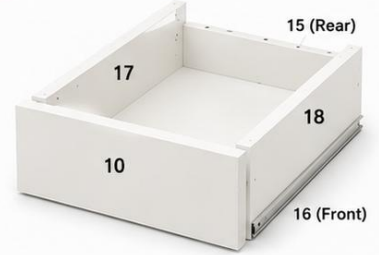
- 3** Attach the side panels to the bottom panel and rails.



- 4** Attach the front panel.



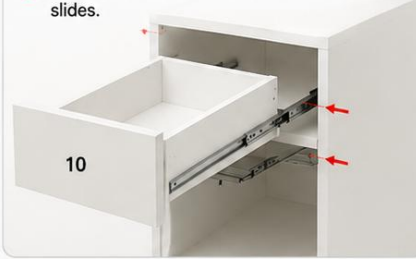
- 5** Drawer assembly complete.



- 6** Install the drawer slides on the cabinet.



- 7** Align the drawer slides with the cabinet slides.



- 8** Push the drawer in slowly until fully closed.



- 9** Installation complete.



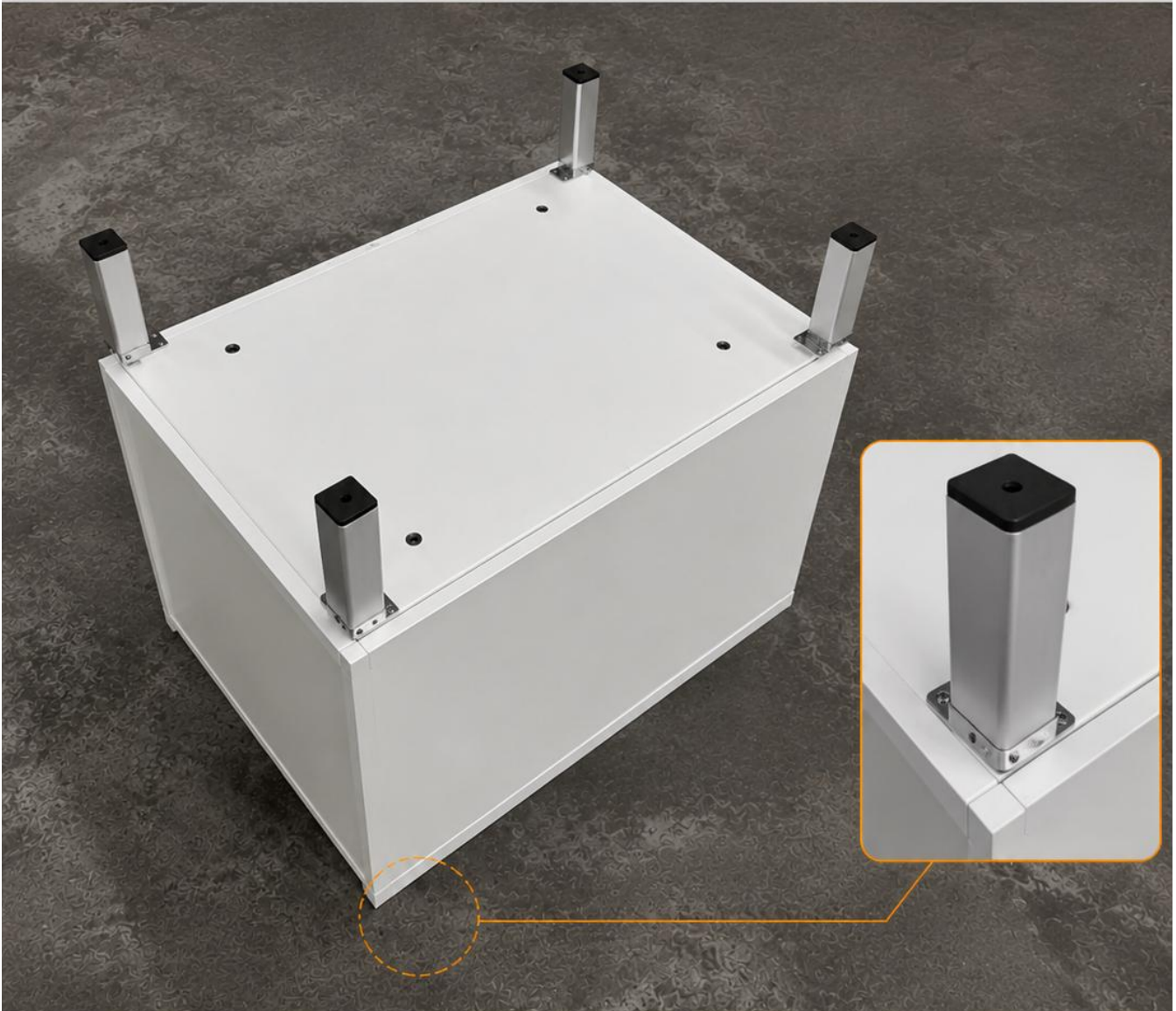
⚠ Note: Make sure the front ends of both drawer slides are flush with the front edge of the cabinet.



STEP 6

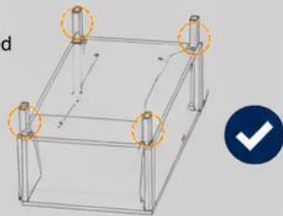
Turn the cabinet upside down and install the square aluminum legs at the four corners.

Use 12 screws in total (3 screws per leg).





TIPS:

- Make sure the screws are tightened firmly but not over-tightened.
- Ensure the cabinet stands level and stable after installation.



PARTS USED THIS STEP

No.	Part Name	Specification	Qty
	Square Aluminum Leg	25 × 25 × 100mm (with adjustable foot)	4
	Screw	M4 × 16mm	12